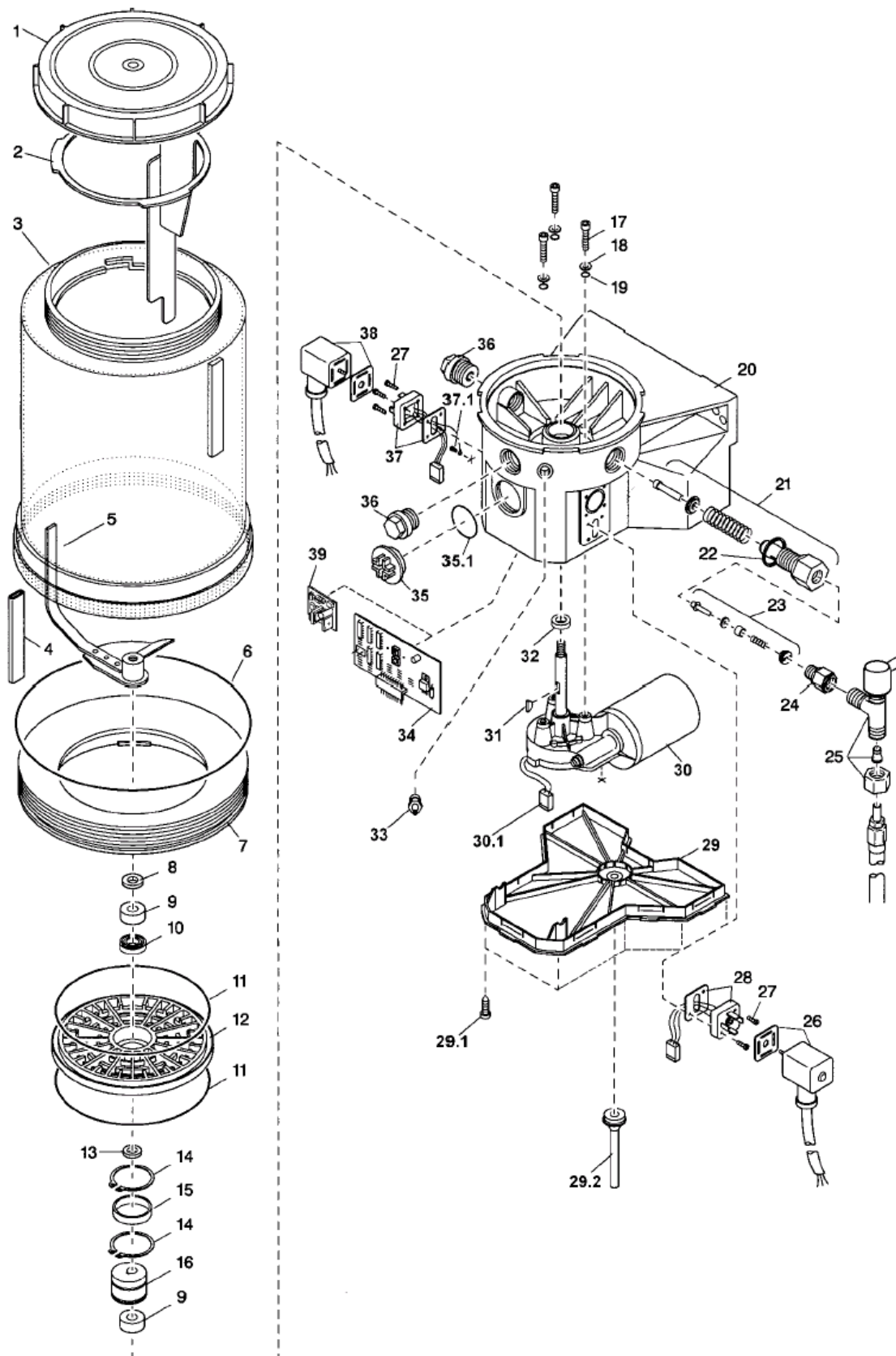


# Bomba 203 8Kg

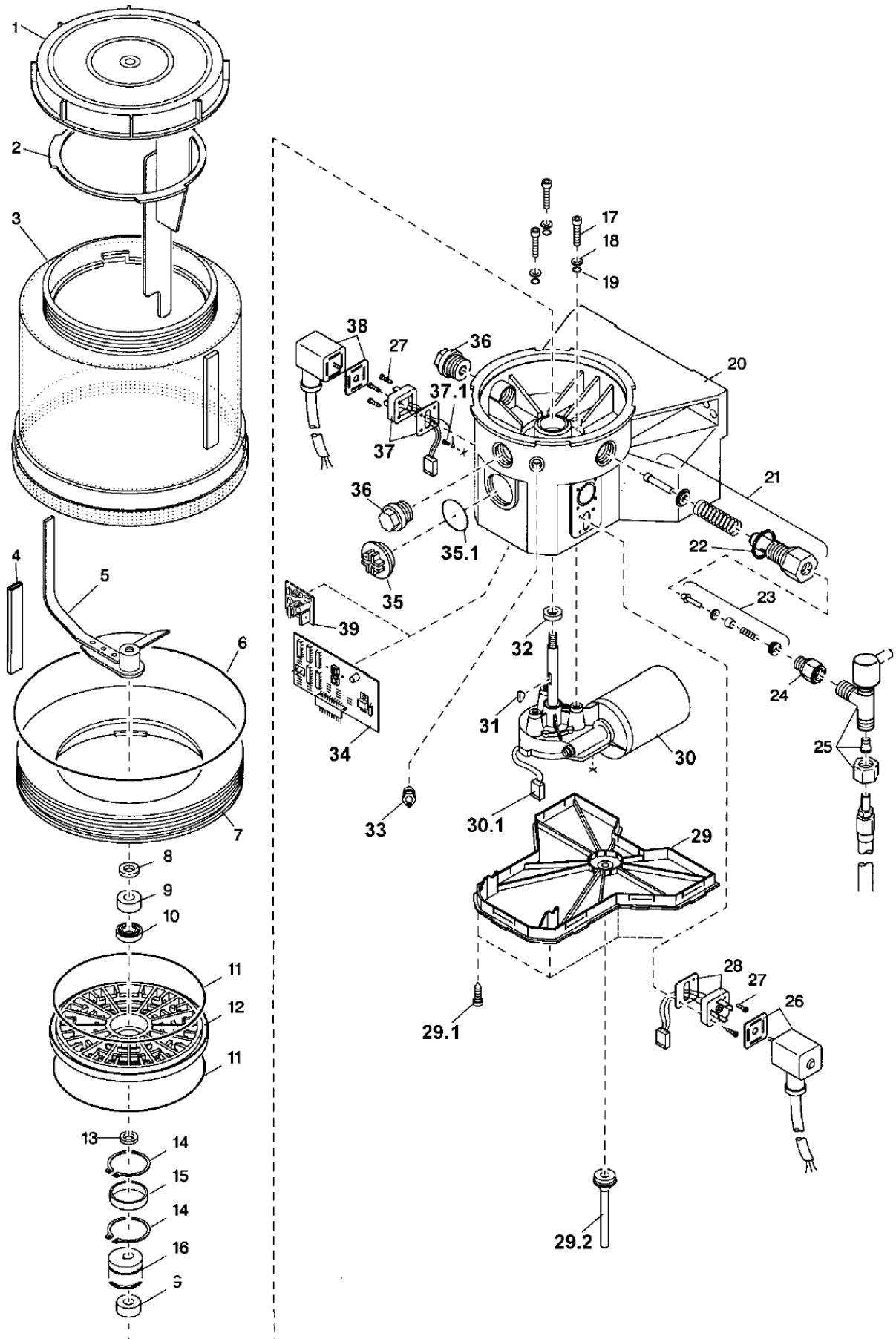


# Bomba 203 8Kg

Item	Designation	Qty.	Part no.	Item	Designation	Qty.	Part no.
1	Reservoir cover	1	444-24234-1	29	Housing cover		
2	Fixed paddle assy.	1	544-31925-1		up to serial number 9810010249		
3	Reservoir 8XNBO /8NYBO	1	544-31999-1		and 981000063C	1	444-24172-1
4	Hose 10 cm	1	111-35089-2		from serial number 9810010250		
5	Stirring paddle assy.	1	544-31954-1		and 981000064C	1	444-24667-1
6	O-ring, Ø 210 x 5	1	219-13730-9	29.1	Screw f. KF, 3 x 25	10	206-13796-7
7	Adapter ring	1	444-24235-1	29.2	Drain hose	1	444-24310-1
8	Washer 8,4	1	209-13072-6	30	Repair kit: DC motor		
9	Bearing ring	2	444-24168-1		including items 11, 17, 18, 19, 32.1, 33, 34		
10	Grooved ball bearing D10 / 26 x 8	1	250-14009-7		12 VDC	1	544-36913-1
11	O - ring Ø 144 x 4	2	219-13730-7		24 VDC	1	544-36913-2
12	Intermediate bottom	1	444-24167-1	30.1	Motor connection	1	664-36862-3
13	Shim 10 x 16 x 1,2	1	209-13047-5	31	Woodruff key 3 x 5	1	214-13123-1
14	Snap ring SW 32	2	211-14100-1	32	Rotary shaft seal		
15	Pressure ring Ø 33 x 37 x 13	1	444-24439-1		BA 10 x 22 x 7	1	220-12231-3
16	Eccentric	1	444-24170-2	33	Hydraulic lub. fitting AR 1/4 Z	1	251-14045-9
17	Hexagon socket head screw			34	12/24 VDC control p. c. b. *		
	M 6 x 25 C	3	201-13668-3		for industrial applications and		
18	Washer	3	444-24169-1		commercial vehicles		
19	O - ring Ø 6 x 2	3	219-13084-2		Model F	1	236-13856-1
20	Housing				Model V00 - V03, old model	1	236-13862-1
	up to serial number 9810010249	1	444-24171-1		Model V00 - V03, new model	1	236-13891-1
	and 981000063C				Model V00 - V03, U.S.A	1	236-13891-2
	Kit: housing assy, with housing cover				Model H	1	236-13857-1
	an tightening screws	1	544-32191-1		12/24 VDC, ADR tractors		
	from serial number 9810010250				Model FADR	1	236-13859-1
	and 981000064C	1	444-24666-1		Model V00 - V03, old model	1	236-13862-1
21	Pump element with assy.				Model V00 - V03, new model	1	236-13891-1
	piston Ø 5 mm	1	600-26875-2		Model V00 - V03, U.S.A	1	236-13891-2
	piston Ø 6 mm	1	600-26876-2		12/24 VDC, ADR trailer		
	piston Ø 7 mm	1	600-26877-2		Model H	1	236-13857-1
	adjustable pump element	1	655-26178-1	35	Sealing plug M 33 x 2	1	233-13124-9
22	Sealing ring Ø 22,2 x 27 x 1,5	1	306-17813-1	35.1	O - ring Ø 31 x 2	1	219-14138-2
23	Check valve Ø 5 mm, assy.	1	504-36071-8	36	Closure plug		
	Check valve Ø 6 mm, assy.	1	504-36071-4		M 22 x 1,5 x 12	2	303-19285-1
	Check valve Ø 7 mm, assy.	1	504-36071-9	37	Appliance plug 1		
24	Nipple S 2520-1/4-1/4-25	1	226-14105-5		with cable	1	664-36862-4
25	Pressure relief valve			37.1	Self-tapping screw 3,9 x 6,5 C	1	206-13725-7
	SVTE - 350-R 1/4 A - D 6, old model	1	624-27158-1	38	Socket 1 (black)* with		
	SVTE - 350-R 1/4 A - D 6, new model	1	624-28894-1		flat packing and 10 m cable,	1	664-36078-7
26	Socket 2 (grey) ***				with flat packing and 10 m cable,for		
	with flat packing and 10 m cable	1	664-36078-9		ADR - pump	1	664-36862-2
	with flat packing and 10 m cable,for				Socket, black	1	236-13277-9
	ADR - pump	1	664-36862-2		Flat packing	1	236-13294-3
27	Screw BZ 3 x 10 C	8	206-13796-6	39	Power supply		
28	Appliance plug 2				board 230 VAC*	1	544-36961-4
	with cable**	1	664-36862-5				
					Arrow: direction of rotation	1	810-55106-1
					LINCOLN-Logo	1	810-55087-1

\* Alternative parts : See under " Type of Connection...", page 54-59  
 \*\* Only for pumps with the type of connection 2A

# Bomba 203 4Kg



# Bomba 203 4Kg

Item	Designation	Qty.	Part no.	Item	Designation	Qty.	Part no.
1	Reservoir cover	1	444-24234-1	29	Housing cover		
2	Fixed paddle assy.	1	544-31948-1		up to serial number 9810010249		
3	Reservoir 4XNBO/4YNBO	1	544-31998-1		and 981000063C	1	444-24172-1
4	Hose 10 cm	1	111-35089-2		from serial number 9810010250		
5	Stirring paddle assy.	1	544-31928-1		and 981000064C	1	444-24667-1
6	O-ring, Ø 210 x 5	1	219-13730-9	29.1	Screw f. KF, 3 x 25	10	206-13796-7
7	Adapter ring	1	444-24235-1	29.2	Drain hose	1	444-24310-1
8	Washer 8,4	1	209-13072-6	30	Repair kit: DC motor		
9	Bearing ring	2	444-24168-1		including items 11, 17, 18, 19, 32.1, 33, 34		
10	Grooved ball bearing D 10/26 x 8	1	250-14009-7		12 VDC	1	544-36913-1
11	O - ring Ø 144 x 4	2	219-13730-7		24 VDC	1	544-36913-2
12	Intermediate bottom	1	444-24167-1	30.1	Motor connection	1	664-36862-3
13	Shim 10 x 16 x 1,2	1	209-13047-5	31	Woodruff key 3 x 5	1	214-13123-1
14	Snap ring SW 32	2	211-14100-1	32	Rotary shaft seal		
15	Pressure ring Ø 33 x 37 x 13	1	444-24439-1		BA 10 x 22 x 7	1	220-12231-3
16	Eccentric	1	444-24170-2	33	Hydraulic lub. fitting AR 1/4 Z	1	251-14045-9
17	Hexagon socket head screw M 6x25 C	3	201-13668-3	34	12/24 VDC control p. c. b. *		
18	Washer	3	444-24169-1		for industrial applications and commercial vehicles		
19	O - ring Ø 6 x 2	3	219-13084-2		Model F	1	236-13856-1
20	Housing				Model V00 - V03	1	236-13862-1
	up to serial number 9810010249	1	444-24171-1		Model V00 - V03, new model	1	236-13891-1
	and 981000063C				Model V00 - V03, U.S.A.	1	236-13891-2
	Kit: housing assy, with housing cover				Model H	1	236-13857-1
	an tightening screws	1	544-32191-1		12/24 VDC, ADR tractors		
	from serial number 9810010250				Model FADR	1	236-13859-1
	and 981000064C	1	444-24666-1		Model V00 - V03, old model	1	236-13862-1
21	Pump element with assy.				Model V00 - V03, new model	1	236-13891-1
	piston Ø 5 mm	1	600-26875-2		Model V00 - V03, U.S.A.	1	236-13891-2
	piston Ø 6 mm	1	600-26876-2		12/24 VDC, ADR trailer		
	piston Ø 7 mm	1	600-26877-2		Model H	1	236-13857-1
	piston Ø 7 mm			35	Sealing plug M 33 x 2	1	233-13124-9
	for chisel paste	1	600-28750-1	35.1	O - ring Ø 31 x 2	1	219-14138-2
	adjustable pump element	1	655-26178-1	36	Closure plug		
22	Sealing ring ø 22,2 x 27 x 1,5	1	306-17813-1		M 22 x 1,5 x 12	2	303-19285-1
23	Check valve Ø 5 mm, assy.	1	504-36071-8	37	Appliance plug 1		
	Check valve Ø 6 mm, assy.	1	504-36071-4		with cable	1	664-36862-4
	Check valve Ø 7 mm, assy.	1	504-36071-9	37.1	Self - tapping screw 3,9 x 6,5 C	1	206-13725-7
24	Nipple S 2520-1/4-1/4-25	1	226-14105-5	38	Socket 1 (black)* with		
25	Pressure relief valve				flat packing and 10 m cable,	1	664-36078-7
	SVTE - 350-R 1/4 A - D 6, old model	1	624-27158-1		socket 1, with flat packing and		
	SVTE - 350-R 1/4 A - D 6, new model	1	624-28894-1		10 m cable, for ADR - pump	1	664-36862-1
26	Socket 2 (grey) * **				Socket, black	1	236-13277-9
	with flat packing and 10 m cable	1	664-36078-9		Flat packing	1	236-13294-3
	Socket 2			39	Power supply		
	with flat packing and 10 m cable,				board 230 VAC*	1	544-36961-4
	for ADR-pump	1	664-36862-2				
27	Screw BZ 3 x 10 C	8	206-13796-6		Arrow: direction of rotation	1	810-55106-1
28	Appliance plug 2**				LINCOLN-Logo	1	810-55087-1
	with cable	1	664-36862-5				

\*Alternative parts : See under " Type of Connection...", page 54-59

\*\* Only for pumps with the type of connection 2A1

# Bomba 203 2Kg

Item	Designation	Qty.	Part no.	Item	Designation	Qty.	Part no.
1	Reservoir 2 XN	1	544-31996-1	24	Housing cover		
2	Hose 12,5 cm	1	111-35089-2		up to serial number 9810010249		
3	Stirring paddle assy.	1	544-31882-1		and 981000063C	1	444-24172-1
4	Washer 8,4	1	209-13072-6		from serial number 9810010250		
5	Bearing ring	2	444-24168-1		and 981000064C	1	444-24667-1
6	Grooved ball bearing D 10/26 x 8	1	250-14009-7	24.1	Screw f. KF, 3 x 25	10	206-13796-7
7	O - ring Ø 144 x 4	2	219-13730-7	24.2	Drain hose	1	444-24310-1
8	Intermediate bottom	1	444-24167-1	25	Repair kit: DC motor		
9	Shim 10 x 16 x 1,2	1	209-13047-5		including items 7, 13, 14, 15, 27.1, 28, 29		
10	Snap ring SW 32	2	211-14100-1		12 VDC	1	544-36913-1
11	Pressure ring Ø 33 x 37 x 13	1	444-24439-1		24 VDC	1	544-36913-2
12	Eccentric	1	444-24170-2	25.1	Motor connection	1	664-36862-3
13	Hexagon socket head screw M 6 x 25 C	3	201-13668-3	26	Woodruff key 3x5	1	214-13123-1
14	Washer	3	444-24169-1	27	Rotary shaft seal		
15	O - ring Ø 6 x 2	3	219-13084-2		BA 10 x 22 x 7	1	220-12231-3
16	Housing up to serial number 9810010249 and 981000063C Kit: housing assy, with housing cover an thightening screws from serial number 9810010250 and 981000064C	1	444-24171-1	28	Hydraulic lub. fitting AR 1/4 Z	1	251-14045-9
17	Pump element with assy. piston Ø 5 mm piston Ø 6 mm piston Ø 7 mm adjustable pump element	1	600-26875-2	29	12/24 VDC control p. b. c. for industrial applications an for commercial vehicles		
18	Sealing ring Ø 22,2 x 27 x 1,5	1	306-17813-1		Model F	1	236-13856-1
19	Check valve Ø 5 mm, assy.	1	504-36071-8		Model FADR	1	236-13859-1
	Check valve Ø 6 mm, assy.	1	504-36071-4		Model V 00 - V 03, old model	1	236-13862-1
	Check valve Ø 7 mm, assy.	1	504-36071-9		Model V 00 - V 03, new model	1	236-13891-1
20	Pressure relief valve SVTE - 350-R 1/4 A - D 6, old model	1	624-27158-1		Model V 00 - V 03, U.S.A.	1	236-13891-1
	SVTE - 350-R 1/4 A - D 6, new model	1	624-28894-1		Model H	1	236-13857-1
21	Socket 2 (grey) * ** with flat packing and 10 m cable, Socket 2 with flat packing and 10 m cable, ADR-pump	1	664-36078-9	30	Sealing plug, M 33x2	1	233-13124-9
22	Screw BZ 3 x 10 C	8	206-13796-6	30.1	O-ring Ø 31 x 2	1	219-14138-2
23	Appliance plug 2 ** with cable	1	664-36862-5	31	Closure plug M 22 x 1,5 x 12	2	303-19285-1
				32	Appliance plug 1 with cable	1	664-36862-4
				32.1	Self - tapping screw 3,9 x 6,5 C	1	206-13725-7
				33	Socket 1 (black)* with flat packing and 10 m cable, standard pump	1	664-36078-7
					socket 1, with flat packing and 10 m cable, for ADR - pump	1	664-36862-1
					Socket, black	1	236-13277-9
					Flat packing	1	236-13294-3
				34	Power supply board 230 VAC*	1	544-36961-4
					Arrow: direction of rotation	1	810-55106-1
					LINCOLN-Logo	1	810-55087-1

# Bomba 203 2Kg

